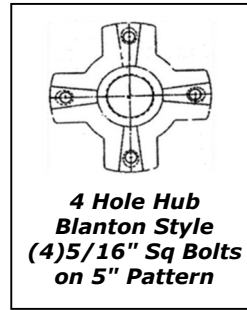
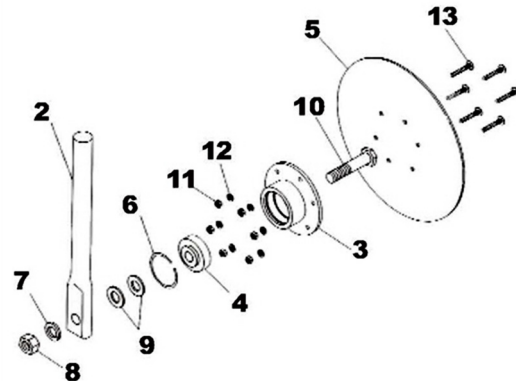
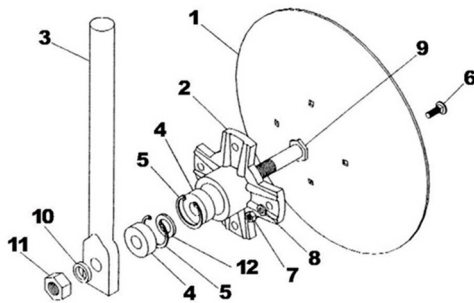


Agmate® Disc Hiller Assemblies



Disc Hiller Assemblies

Blanton Style (4 Hole)	King Style (6 Hole)	Description
33132	36356	12" Disc Hiller Assembly with 16" Shank
33133	36357	12" Disc Hiller Assembly with 22" Shank
11676	36358	14" Disc Hiller Assembly with 16" Shank
30525	36359	14" Disc Hiller Assembly with 22" Shank
11677	36360	16" Disc Hiller Assembly with 16" Shank
31752	36361	16" Disc Hiller Assembly with 22" Shank



Blanton Style Parts List

Part #	Ref #	Description	Qty Required
87728	1	12" Blade 3mm	1
25900	1	14" Blade 3mm	1
25901	1	16" Blade 3mm	1
11679	2	Hub- No Bearings	1
N/A	3	16" Shank (1-1/4"rd)	1
30336	3	22" Shank (1-1/4"rd)	1
17849	4	204BBAR	2
27936	5	Snap Ring	2
13275	6	5/16" Carriage Bolt	4
13104	7	5/16" Hex Nut	1
13094	8	5/16" Lock Washer	4
29842	9	3/4" x 3-1/2" Thin Head Bolt	1
13099	10	3/4" Lock Washer	1
13109	11	3/4" Hex Nut	1
33955	12	3/4" Flat Washer	1
N/A		Spacer	1

King Style Parts List

Part #	Ref #	Description	Qty Required
N/A	2	16" Shank (1-1/4"rd)	1
30336	2	22" Shank (1-1/4"rd)	1
35740	3	Hub- No Bearings	1
17861	4	206 GGH Bearing	1
80970	5	12" Blade 3mm	1
80971	5	14" Blade 3mm	1
80973	5	16" Blade 3mm	1
82403	6	Snap Ring	1
13099	7	3/4" Lock Washer	1
13109	8	3/4" Hex Nut	1
33955	9	3/4" Flat Washer	2
29842	10	3/4" x 3-1/2" Thin Head Bolt	1
13103	11	1/4" Hex Nut	6
13093	12	1/4" Lock Washer	6
N/A	13	1/4" Ribbed Bolt	6