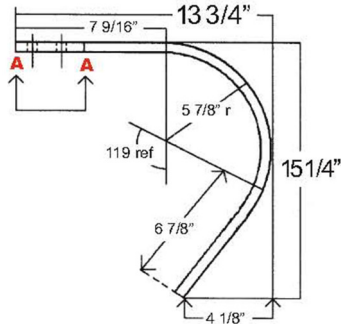
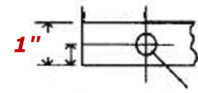


Agmate® Landscape Rake Tines



One Hole Rake Tines



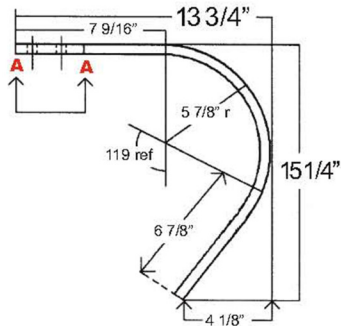
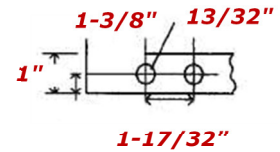
Chinese Rake Tine

Part Number	Width	Thickness	Material
71350	1"	5/16"	Heat Treated 5160- RC 38-42

Italian Rake Tine

Part Number	Width	Thickness	Material
10454	1"	5/16"	Heat Treated 5160- RC 38-42

Two Hole Rake Tines



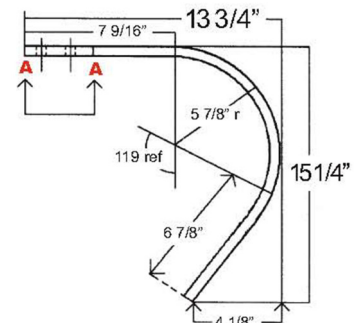
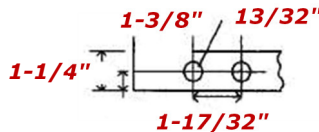
Chinese Rake Tine

Part Number	Width	Thickness	Material
73796	1"	5/16"	Heat Treated 5160- RC 38-42

Italian Rake Tine

Part Number	Width	Thickness	Material
33913	1"	5/16"	Heat Treated 5160- RC 38-42

Two Hole Heavy Duty Rake Tine



Italian Rake Tine

Part Number	Width	Thickness	Material	Weight
46796	1-1/4"	3/8"	Heat Treated 5160- RC 38-42	3 lbs

Landscape Rake Clamp



Part #	Length	# of Bolts	Bolt Spacing	Bolt Spacing	Weight
58917	12"	6	.394 from end to first hole	2" Center to Center	1.1 lbs